

EVEN PINS ON *TOP* SIDE OF PCB

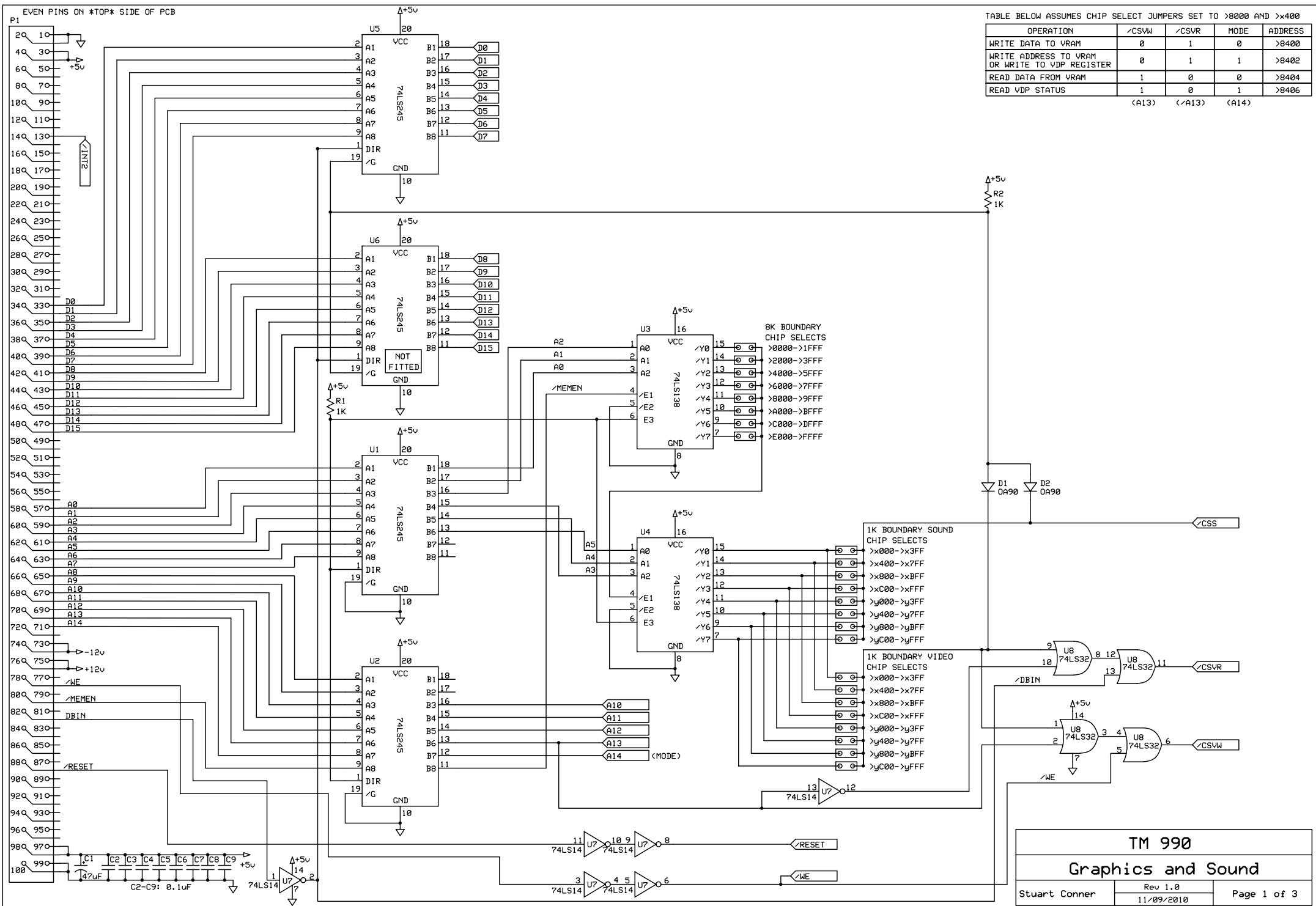


TABLE BELOW ASSUMES CHIP SELECT JUMPERS SET TO >8000 AND >X400

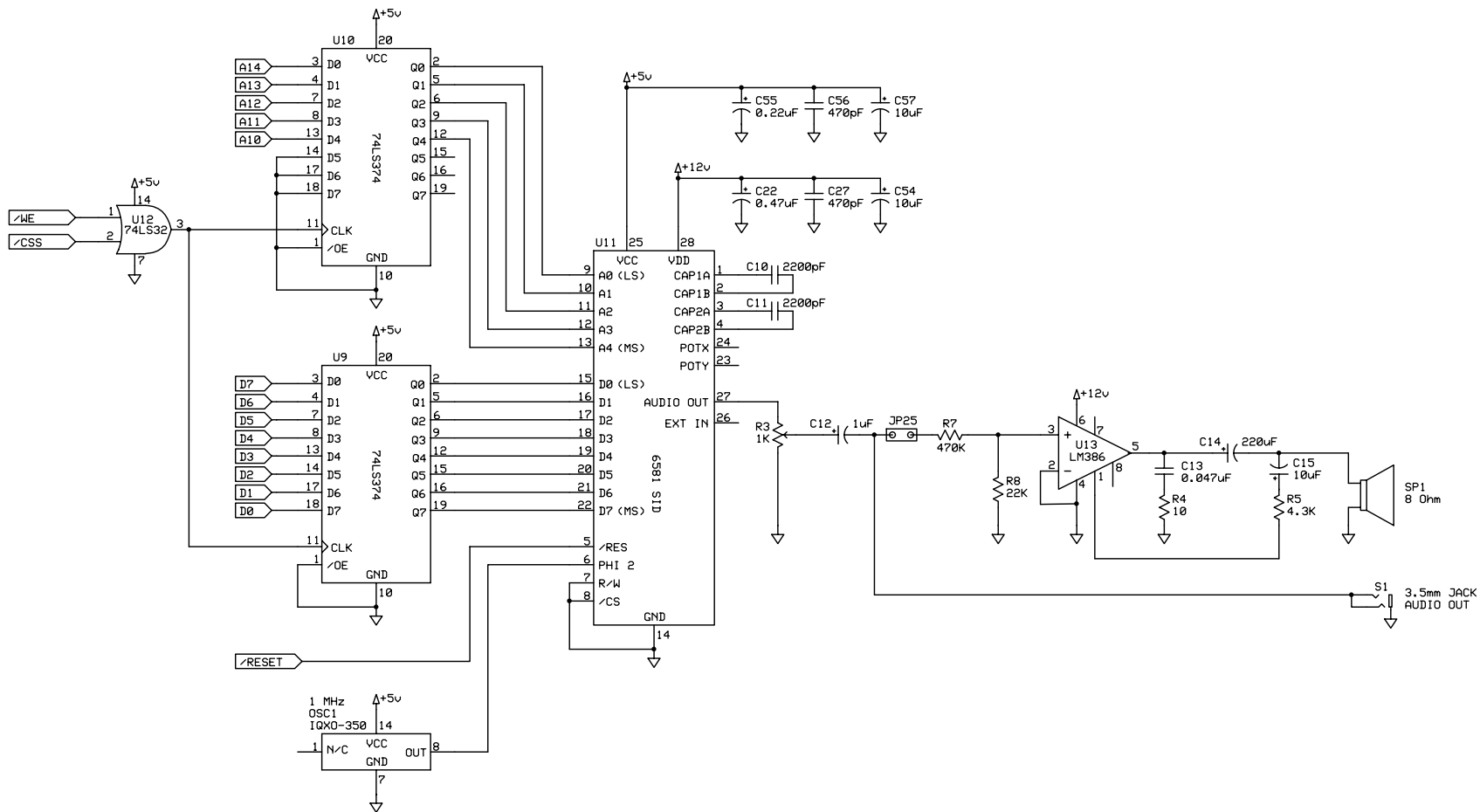
OPERATION	/CSVW	/CSVR	MODE	ADDRESS
WRITE DATA TO VRAM	0	1	0	>8400
WRITE ADDRESS TO VRAM OR WRITE TO VDP REGISTER	0	1	1	>8402
READ DATA FROM VRAM	1	0	0	>8404
READ VDP STATUS	1	0	1	>8406

(A13) (/A13) (A14)

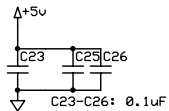
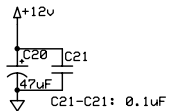
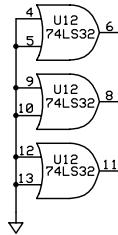
TM 990

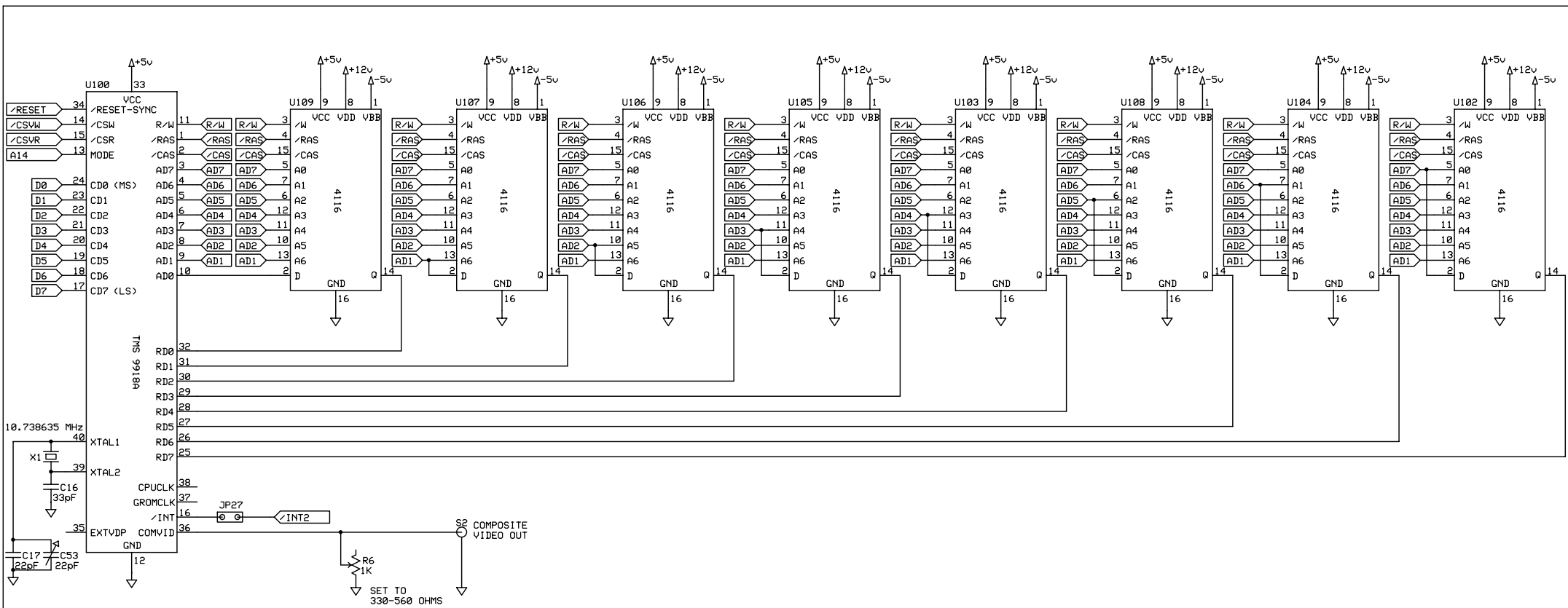
Graphics and Sound

Stuart Conner	Rev 1.0 11/09/2010	Page 1 of 3
---------------	-----------------------	-------------

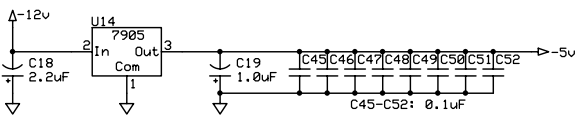


UNUSED GATES





X1 = Digkey P/N X423-ND, Mfg P/N ECS-107.3-S-4



C18 = Tantalum

