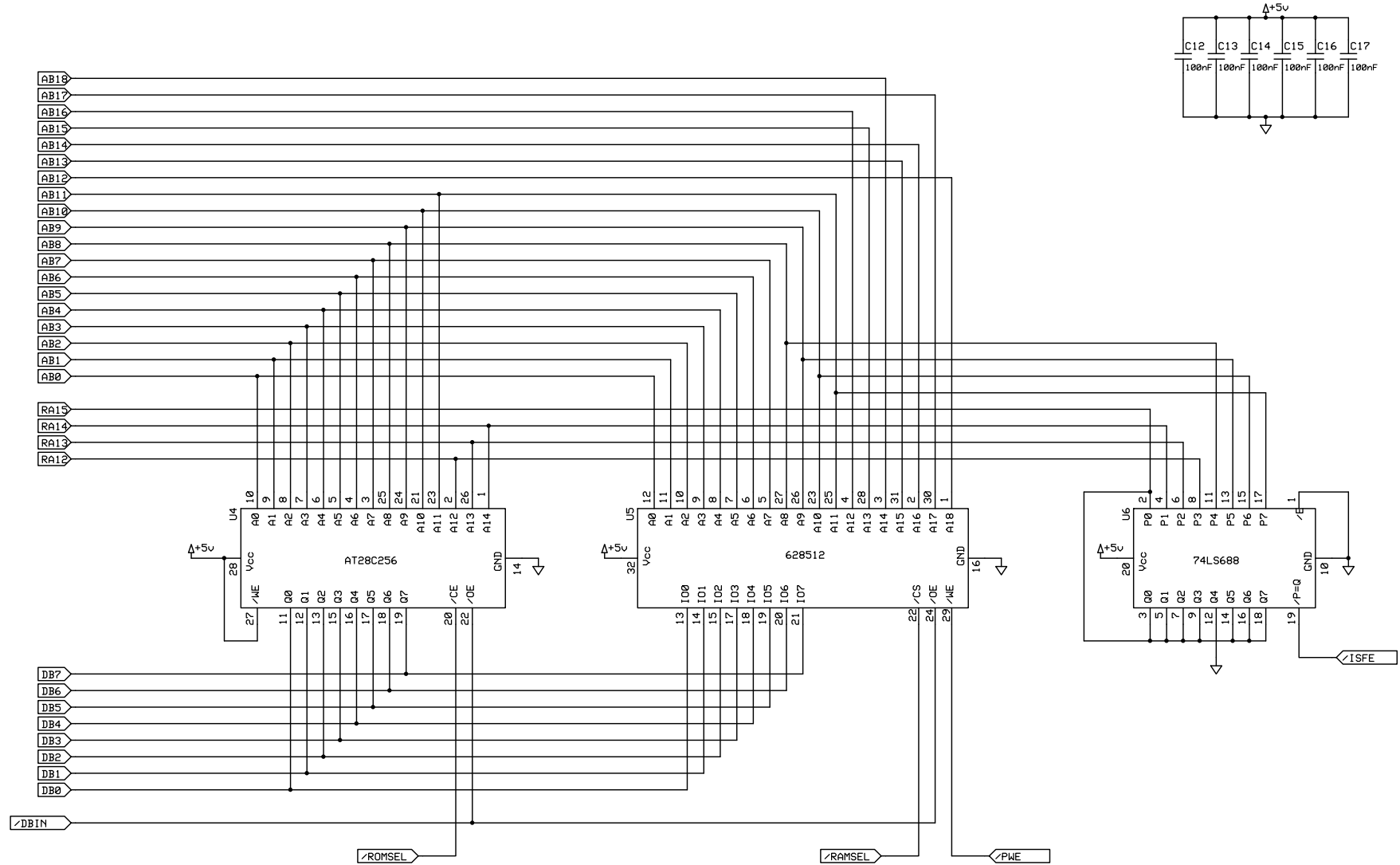
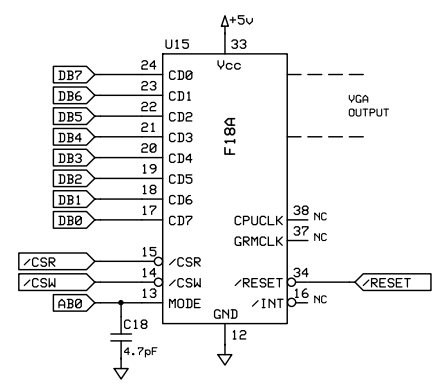
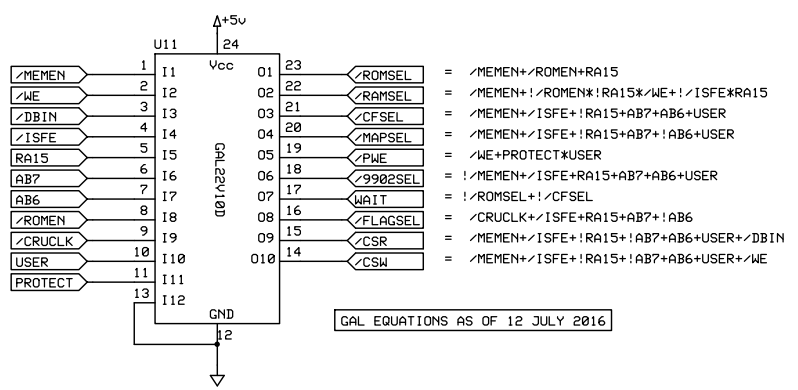
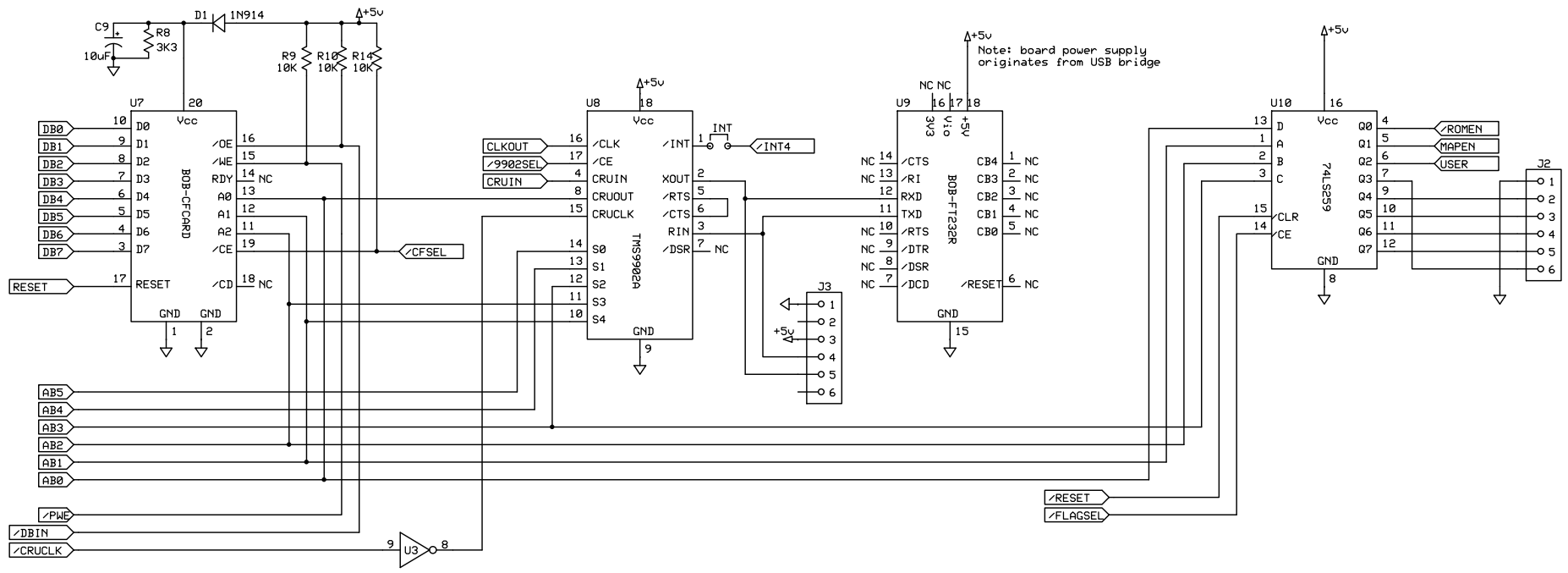


CHANGE HISTORY (V1 TO V2) [SCJ]
 -- CHANGES TO MEMORY MAPPER (U2) CONNECTIONS:
 -- D5-D6-D7-DB8 NOW CONNECTED TO D0
 -- R11 REDUNDANT AND REMOVED
 -- ADDRESS LINE AB15 NOW CONNECTED FROM M08, NOT M09
 -- ADDED C18 TO VDP (U15) PIN 13

Mini Cortex		
TI990/6		
PNR	Rev 2.0	CPU+MAP
	04 Jun 2018	



Mini Cortex		
TI990/6		
PNR	Rev 2.0	RAM+ROM
	04 Jun 2018	



Mini Cortex		
TI990/6		
PNR	Rev 2.0	I0+GAL
	04 Jun 2018	